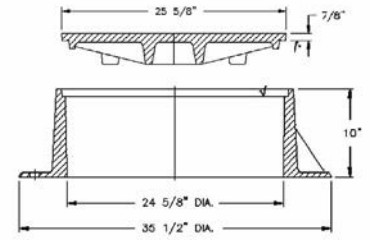


### 1730 FRAME & COVER

Heavy duty  
Machined bearing surfaces

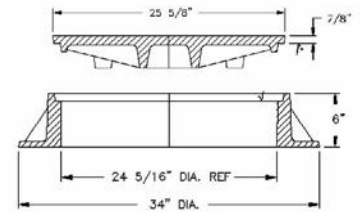
Options  
Special lettered covers



### 1731 FRAME & COVER

Heavy duty  
Machined bearing surfaces  
Uses 1730 cover

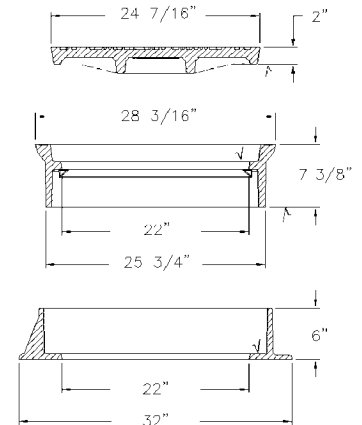
Options  
Special lettered covers



### 1733 FRAME & COVER

Heavy duty  
Machined bearing surfaces  
Adjustable manhole, 3 piece assembly

Options  
Special lettered covers



Supplied By:

**TRENCHDRAIN  
SUPPLY**

877-903-7246

www.trenchdrainsupply.com